

Blue Print ADBP800324

To fit:
Toyota Echo and Yaris 1



Figure 1

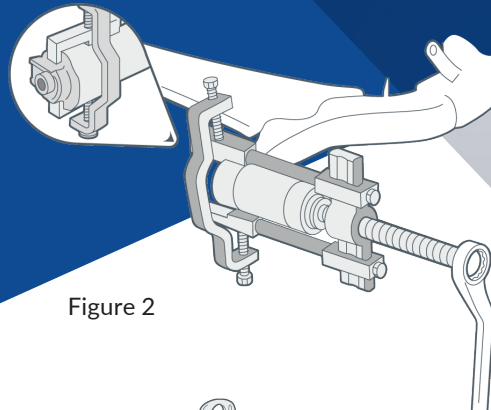


Figure 2

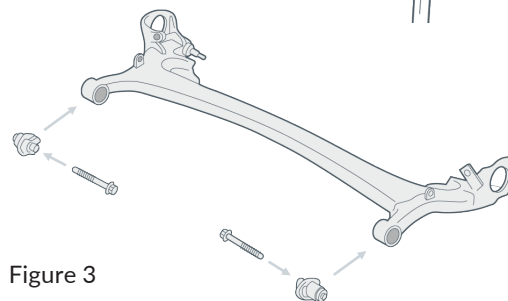


Figure 3

EN

Axle Beam Mount

Problem

Uneven tyre wear and inconsistent vehicle handling.

Cause

Axle beam mounting rubber worn and deteriorated, causing axle misalignment.

Solution

It is recommended to replace both axle beam mountings for a reliable repair. To do so, the complete rear axle has to be removed from the vehicle.

Remove the rear wheels. Clamp the flexible rear brake hoses and disconnect the brake pipes from the rear brakes.

Disconnect the ABS wheel speed sensors and parking brake cables from the axle beam. Disconnect and remove the shock absorbers and road springs.

Lower the axle beam and disconnect from the vehicle's body.

For more technical information please visit: partsfinder.bilsteingroup.com

To remove the axle beam mounting, first mark the alignment of the bush to the axle. (Fig.1)

Use a suitable chisel and hammer to bend the two portions of the inner flat side of the bush, then using a suitable pressing tool, push the bush out of the axle mounting. (Fig.2)

Clean all mating surfaces so that they are free of corrosion and road debris. Align the new bush to ensure the correct orientation before pressing the new mounting into the axle, repeat for the other side. (Fig.3)

With the new axle beam mountings replaced, refit the complete axle to the vehicle including all fixings, suspension and brake components. Tighten the axle beam mounting bolts to 82 Nm with the rear suspension in the neutral position.

Remove the brake hose clamps and bleed the brake system of any air. Refit the wheels and check the axle alignment.